

ULTRABLADE PRO SURFACE MOUNT EXIT



Surface Mounted Architectural Blade Exit

The sophisticated look and design of the Ultrablade Pro Surface Mount Exit will satisfy all architectural requirements for a premium surface mounted exit.

With a reduced reflection, halo effect on the diffuser with a decal that is scratch and fingerprint resistant, it is no wonder the Ultrablade Pro is the industry standard for an architectural blade exit.

Applications



Features and Benefits

- AS/NZS 2293.3 compliant
- Low 1.4W to 1.8W standby power consumption
- Wall and ceiling mount
- All directional decals in one box
- Lithium Iron Phosphate or Nanophosphate® battery
- Clevertest Plus System compatible
- Theatre version available



ULTRABLADE PRO SURFACE MOUNT EXIT

ORDERING INFORMATION		TS	LP	L10
TEST OPTIONS / PART #	Standard	EUBPRO-SM-LI	CUBPRO-SM	LUBPRO-SM
	Clevertest Plus System Compatible	No	Yes	
	Wall Mount Flag Style	-	CUBPRO-SM-V	LUBPRO-SM-V
	DALI	-	CUBPRO-SM-DALI	LUBPRO-SM-DALI
	Zoneworks® XT Hive	-	CUBPRO-SM-HV	LUBPRO-SM-HV
	Theatre Version	No	CUBPRO-SM-TH	LUBPRO-SM-TH
Carton Quantity	5			
Weight - Single (Carton)	1.0kg (5kg)			
Dimensions (L x W x H)	317mm x 8.7mm x 157mm - Blade Assembly 360mm x 47mm x 72mm - Base			
Directional Options	All Directional Inserts Included (Excluding Theatre Versions)			
Directional Options (Theatre Only)	-	Add Suffix to Part Number, -DS Double Sided, -R Pictograph, L (Left) or R (Right) ie. CUBPRO-SM-TH-DS-R		

POWER, LAMPS AND BATTERY	TS	LP	L10
Power Consumption (Standby / Max)	1.8W / 2.8W	1.4W / 3.7W	
Lamp(s)	50,000 Hour LED	100,000 Hour LED	
Battery	Lithium Iron Phosphate		Lithium Nanophosphate®
Voltage (V) / Capacity (mAh)	3.2V / 1100mAh		3.3V / 2500mAh
Charging Method	Intelligent Current Limited Constant Voltage		

TECHNICAL SPECIFICATIONS	
Operating Mode	Maintained
Voltage (V) Frequency (Hz)	220-240V (50Hz)
Construction - Body / Diffuser	PC-ABS / PC
Viewing Distance	24m
Mounting Type	Single & Double Sided, Surface Mount Ceiling (Rod Suspended)
Operating Temperature	1°C to 40°C
IP Rating (IP)	IP20

ACCESSORIES	
Cantilever Bracket	CLVRBRT-UBPRO
Cantilever Bracket (Black)	CLVRBRT-UBPRO-BLK

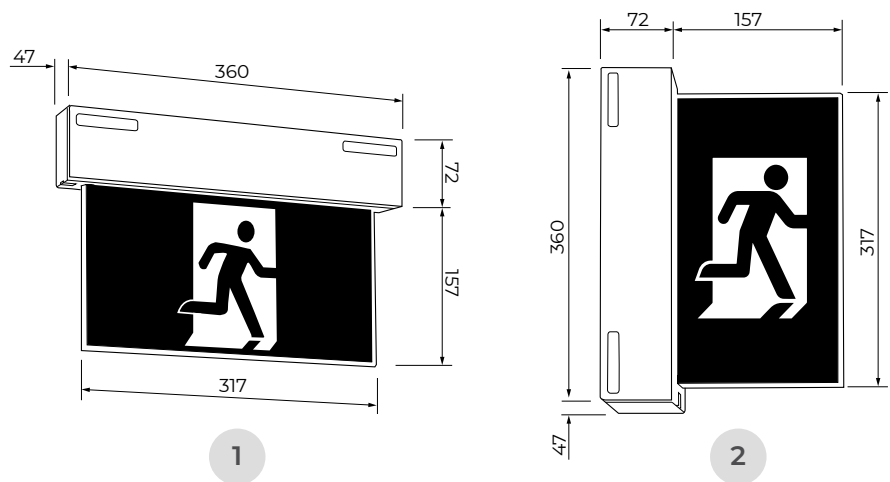
CLASSIFICATION	TS	LP	L10
C0	E6.3	E6.3	E6.3
C90	E6.3	E6.3	E6.3
C0 - Flag Style	-	E1	B1
C90 - Flag Style	-	E1	B1

SPACING TABLE AND MOUNTING HEIGHTS – AS/NZS 2293.1:2018 (MINIMUM LIGHT LEVEL OF 0.2 LUX)									
Classification	2.1m	2.4m	2.7m	3.0m	3.3m	3.6m	4.0m	4.5m	5.0m
B1	2.4	0.0	0.0	0.0	-	-	-	-	-
E6.3	6.9	7.4	7.9	8.2	8.5	8.8	9.1	9.2	9.3
E1	3.7	0.0	0.0	0.0	-	-	-	-	-

For 1 lux and AS/NZS 2293.1:2005 spacing tables please visit:
<https://clevertronics.com.au/spacing-tables/>

Based on minimum light level of 0.2 lux.
 Maximum allowed mounting height is 2.7m but for exceptions see AS/NZS 2293.1.
 Spacing classifications do not apply for theatre versions.

*Warranty information located at:
<https://clevertronics.com.au/warranty-statement/>



Product Configuration:

- 1 Surface Mount
- 2 Surface Mount (Wall Mount Flag Style)

clevertronics.co.nz
clevertronics.com.au

1 Caribbean Drive, Scoresby VIC 3179
 P +61 3 9559 2700 F +61 3 9559 2799 E info@clevertronics.com.au

Clevertronics is committed to continuously improving its products.
 All features and specifications are subject to change without prior notice.
 _PRODUCT SHEETS – ANZ Ultrablade Pro Surface Mount

