

Clevertest and Clevertest Plus

Refer to the supplementary operation guide supplied with the Product.

After Power ON, the Status LED on a Clevertest Plus enabled fitting will display a rapid Green or Red flashing for a period up to 2 minutes.

The diffuser will require removal to gain access to the Test/Status Switch and LED.

Maintained fittings (CWSQLEDM-yy-zz) cannot be scanned with a camera using the Clevertest Plus App as the maintained light source interferes with the camera scanning function. To register the fitting manually enter the serial number from the QR code and visually read the test result and enter manually into Clevertest Plus App.

Zoneworks, HIVE and DATA Monitored Options

Fittings with part numbers -ZW, -HVG, -DATA are fitted with Zoneworks communications modules (nodes). These fittings are monitored using either Powerline Carrier Technology that utilize the power cable to provide data communication, RF transceiver modules operating in the ISM band or a dedicated data cable to/from data routers installed on a dedicated data trunk connected to a central Server (can also be connected via Ethernet/Internet/Fibre). Zoneworks software on the server is used to monitor, coordinate testing and collate test data from each fitting. Zoneworks Fittings can be commissioned by a single push of the test switch or by scanning the supplied barcode. The LED Test Switch indicator provides a multifunction indication of the status of the fitting during testing and normal operation:

Option	State	LED Operation
ZW, HVG, DATA	Commissioned	LED on Solid (Green)
ZW, DATA	Un-commissioned	Batt plugged-in: yellow 1s, green 1s
		Batt unplugged: red 1s, off 1s
HVG	Un-commissioned With network connectivity	Batt plugged-in: yellow 1s, green 1s
		Batt unplugged: red 1s, off 1s
HVG	Un-commissioned Without network connectivity	Batt plugged-in: yellow 250mS, green 250mS, yellow 250mS, green 250mS, green 1s
		Batt unplugged: red 250mS, off 250mS, red 250mS, off 250mS, off 1s
ZW, DATA	Emergency Light Test In Progress	LED flashes at yellow 5s , Off 1s
HVG	Emergency Light Test In Progress	LED flashes at yellow 1s , Off 1s

In the case of the DATA version a 2-way "figure 8" cable and terminal block facilitates the connection to the DATA network via a multi-drop bus (daisy chain connection). For further information of installation of a Zoneworks system, please refer to the Zoneworks Users Guide and Commissioning Guide (incl. DATA version)

DALI EM Option

Luminaires with part numbers having -DALI are fitted with DALI modules (nodes) that facilitate connection and integration to 3rd Party Lighting Control Systems. Before installing the -DALI fitting please confirm that the Lighting Control System has the capability to monitor DALI Emergency Luminaires. The -DALI fitting will be addressed and configured into the control system by the Lighting Control System Commissioning Technicians and not Clevertronics.


State	LED Operation
Commissioned/ Un-commissioned	LED on Solid (Green)
Emergency Light Test in progress	LED flashes at 1s On (Yellow) & 1s Off
"IDENTIFY COMMAND"	Fitting goes into emergency mode for 10 seconds

A 2-way "figure 8" cable and terminal block facilitates the connection to the DALI network. DALI connections are marked as Da Da.



CLP™ Argonaut Square LED Emergency Light Installation & Maintenance Instruction Leaflet



NOTE: Standard product codes with this symbol  are enabled with Clevertest Plus capability. Please refer to the operation guide supplied with the product for details.




Australia (Head Office)
Website: www.clevertronics.com.au
Email: info@clevertronics.com.au
Phone: +61 3 9559 2700
Fax: +61 3 9559 2799

UK OFFICE
362 Stockley Close
West Drayton UB7 9BL
Phone: 01895 430 255

Models: CWSQLEDx-uu-yy-zz-vv

Testing:

Manual Test zz = Blank
Zoneworks zz = ZW
Z/W DATA zz = DATA
DALI REG zz = DALI 
ZW Hive zz = HVG

Options:

Non-Maintained x = N
Maintained x = M
Microwave Sensor Hi/Lo Control yy = MS-HL
Microwave Sensor Control yy = MS
Low Output uu = LO
Black Body vv = BLK

Spare Parts:

1550290	BATT: LP 6.4V 3.2Ah.200mm lead.Stick.Brkt	
1190320	Sensor: M/Wave Motion, SK-503L DC	(for -MS-HL)
1330120	LED Driver – GDY250, 26W 42VDC 610mA	
1330039	25W DALI Driver - Programmed to 250mA - 32mA	(for -LO)
8002840	PCA: SQ LED Array, 215mm, 400K, 3020 LED	
UKM02370050001	CCPLED-3W-CKIT, LED Power Pack, 3W, LP, OWC	
UKM02870130001	CCPLED-3W-CKIT-HVGEXT, LED Power Pack, 3W, HVG, LP, OWC	
1190325	SENSOR:M/Wave Motion, SK-601 On/Off	(for -MS)

Important:

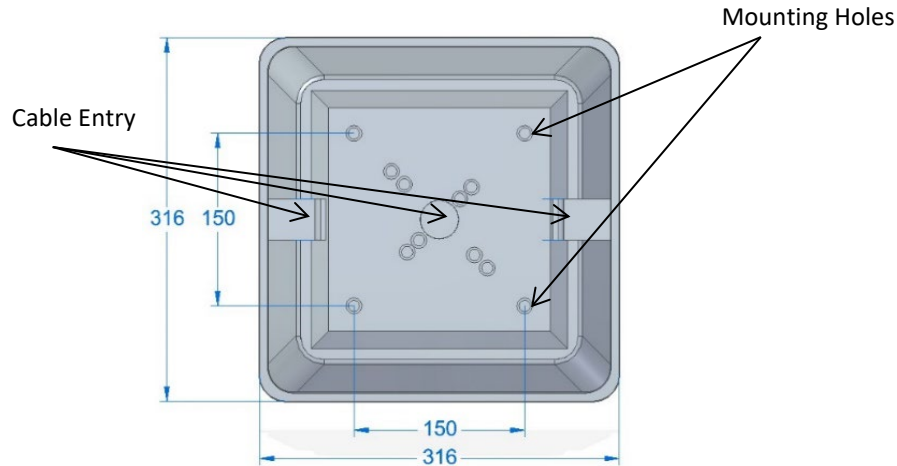
It is illegal for anyone, except for a licensed electrician to install or maintain this product. Before installation, ensure that the electricity supply has been switched off and isolated. Installation must be carried out in accordance with the relevant British Standards.

Installation:

The CLP Argonaut Square (CWSQLEDx) can be installed either Ceiling or Wall Mounted.

- Remove the four (4) screws holding the diffuser to the base.
- Remove the four (4) screws holding the gear tray to the base.
- Determine the cable access point. There are 2 locations on opposite sides of the fitting for cable gland/conduit entry. Entry can also be from the back of the base. Drill out the desired cable entry point.
- Drill out 4 of the mounting points in the base (see image below).
- Using the base as a guide, mark the 4 holes for mounting and one for mains access if using back cable entry.
- Mount the base using appropriate fixings and seal these fixings with silicone (fill any additional entry points with silicone also)
- Route the power inside the base.
- Connect the 240VAC (⊕, L_{SW}, L_{EM}, N) supply to the terminal block of the gear tray.
- Install the gear tray to the base.
- Apply power to the fitting and test per the instructions.
- If the CTP capabilities are activated, please affix the CTP status label to a visible surface and Four Segment Marking on the product will include an "F" in third segment block.

Dimensions:



Note:

This luminaire (with reinforced insulation between control/LED terminal and AC supply) contains non-user replaceable light source and battery - to be replaced (if required, refer installation instructions for battery replacement) by Clevertronics service personnel/agents or a registered electrician.

Battery Replacement:

1. Prior to any work, isolate the power to the luminaire that requires battery replacement
2. Open the fitting by removing the securing screws holding the diffuser, support diffuser doing this.
3. Remove gear tray by removing screws, support gear tray during this process.
4. Remove the Battery Connector from the Emergency Driver.
5. Remove the battery from the gear tray by removing mounting screws.
6. Replace battery, re-install screws and connect to Emergency Driver.
7. Reinstall the Gear Tray.
8. Refit the diffuser, ensure diffuser is aligned to maintain the weatherproof seal.

Testing:

Once connected to the 240V mains supply, the unit must be allowed to charge the battery for at least 24 hours. Conduct the following tests with the Maintained Mode Off:

- The emergency lamp must illuminate for at least 180 min after disconnection from the mains. If the unit fails to illuminate for the requisite time, remedial action must be taken to repair the situation and once completed, the unit must pass a subsequent test.
- Press and hold Test Button or switch Off Mains Supply, check that the emergency lamp is On.
- Release the Test Button or Switch On Mains Supply, check that the emergency lamp is Off (Non-maintained operation)..

Trouble Shooting:

Below are a list of common problems and their possible causes.

Fault: The Green LED Test Switch indicator is not illuminated.

Check: A.C. is connected and is turned on.
Battery is connected
Test Switch for damage.

Fault: Lamp does not illuminate in emergency mode.

Check: A.C. is connected.
Lamp is correctly inserted.
Battery is connected

Fault: Lamp illuminates in emergency mode, but only stays on for a short period.

Check: Battery has been allowed to charge for at least 24 hours.
Battery for damage.

Caution:

On many building sites, power circuits may be cut off in an uncontrolled and repetitive basis during construction. As a result, any Exit & Emergency Units, on these circuits, will have their batteries discharged or "cycled". The Li-ion battery in the luminaire has been selected to give excellent long life performance in a controlled IEC 60598-2-22 testing environment. Excessive battery cycling will reduce through-life performance and may lead to premature battery failure. Battery warranty claims, as a result of such abuse, are specifically EXCLUDED from Clevertronics warranty terms.

Warranty:

For Product Warranty information and Terms and Conditions of Sales please refer to our website <https://clevertronics.co.uk/product-warranty-statement/>