

Testing:

Once connected to the 240V mains supply, the unit must be allowed to charge the battery for at least 24 hours. Conduct the following tests:

- For the first test, the emergency lamp must remain illuminated for at least 2 hours after disconnection from the mains supply.
- Subsequent tests require the unit to illuminate for at least 90 minutes. The results of all tests are required to be recorded in a service logbook, which is to be kept on-site at all times. If the unit fails to remain illuminated for the requisite time, remedial action must be taken to repair the situation and once completed, the unit must pass a subsequent test. For more specific information, please refer to the current edition of the AS 2293.3 Standard.
- Press and hold Test Button or switch Off Mains Supply, check that the emergency lamp is On.
- Release the Test Button or Switch On Mains Supply, check that the emergency lamp is Off (Non-maintained operation).

Rated Emergency Lumen Output in accordance with AS2293.1 (refer to spacing tables for installation positions):

Refer to the Technical Label for classification information.

Trouble Shooting:

Below are a list of common problems and their possible causes.

Fault: The Green LED indicator is not illuminated.

Check: A.C. is connected and is turned on.
Battery is connected
Test Switch for damage.

Fault: Lamp does not illuminate in emergency mode.

Check: A.C. is connected.
Battery is connected

Fault: Lamp illuminates in emergency mode, but only stays on for a short period.

Check: Battery has been allowed to charge for at least 24 hours.
Battery for damage.

Fault: The main LED strip is not illuminated.

Check: A.C. is connected and is turned on.
Wiring connections between the LED driver and LED strip.

Fault: Green LED flashes once every 5 seconds-Battery in disconnected

Check: Battery is connected.

Fault: Green LED blinks off once every 5 seconds- Charging very flat battery

Allow 20min to recover battery then recheck

Fault: Green LED flashes at 2Hz (Fast flash)- Faulty battery

Replace battery



ARGO Weatherproof Emergency LED Batten Switchable Colour Installation & Maintenance Instruction Leaflet



3000K 4000K 5700K

Designed in Australia to comply with the requirements of
AS2293.3: 2005 and AS/NZS CISPR15: 2017

Victoria (Head Office & Manufacturing)

Website: www.clevertronics.com.au
Email: info@clevertronics.com.au
Phone: +61 3 9559 2700
Fax: +61 3 9559 2799

New South Wales

Phone: +61 2 8805 6400
Fax: +61 2 8805 6444

Queensland

Phone: +61 7 3442 9700
Fax: +61 7 3442 9777

South Australia/Northern Territory

Phone: +61 8 8301 8800
Fax: +61 8 8351 8286

Western Australia

Phone: +61 8 9207 0000
Fax: +61 8 9207 0088

New Zealand

Phone: +64 800 548 448

Models:

ARGO-600-EM-xxx

Options:

Microwave Sensor (HI/LO) xxx = SEN

Spare Parts:

ELIFE-X-LI-CKIT-2LED-SL-NP	Lifelight, Control Only, 2LED, 3.0Ah, 325mA
1560150	BATT: EcoLith 3.2V 3.0Ah 70mm lead, noBRKT
1330086-A	LED Driver - 20w Stallion S-MNT
1330087-A	LED Driver - 20w Stallion S-MNT, MS-HL (SEN version only)

Important:

It is illegal for anyone, except for a licensed electrician to install or maintain this product. Before installation, ensure that the electricity supply has been switched off and isolated. Installation must be carried out in accordance with the relevant Australian and International Standards.

Installation:

This product can be mounted to any solid surface. Please follow the below installation steps:

- Determine the installation method (surface/surface with clips) and the power entry method.
- Undo the diffuser clips, remove the diffuser and gear tray. Position the batten base in the desired location. Mark out the fixing points on the mounting surface.
- If the cable entry is to be via the rear of the body – Drill out a suitable entry-hole in the rear of the batten body (must be suitably sealed after cable entry using a sealant). If the cable entry is via the end of the batten - Install the provided cable gland, or bring in conduit, to the base as required for the intended power access.
Note: Only round cables are to be used with the cable gland for an IP65 seal. Keep cable entry straight and tension free. Ensure all seals are tight. min. wire diameter 6mm, max. 12mm.

- **For surface mounting** -, there are 2 extrusions/posts at each end of the base. Drill out the desired number of fixing points at each end. **Fixings must only be through the extrusions/mounting posts.**

- Position the fitting to the mounting surface and mark the mounting holes.
- Cable/Gland entry to be down if mounting vertically.
- Drill the mounting holes.
- Fix the base to the surface with appropriate fixings.
- Seal any penetrations/fixing points with appropriate sealant.

- **For Surface Mount Clip mounting**, measure/mark spacing (see dimensions below), install stainless steel clips to surface (use appropriate fixings), then snap batten into clips.
- Re-attach battery into Emergency Driver & remove Warning Label from Terminal Block.
- Wire mains power cable, 240V 50Hz, to terminals marked Lsw (Switched Active), Lusb

(Emergency/Unswitched Active), N & 

- Set Colour Setting to the desired colour (3000K, 4000K, 5700K)
- Attach Gear Tray to lanyards.
- Reinstall the Gear Tray, Diffuser, latch the Diffuser Clips

Wiring:

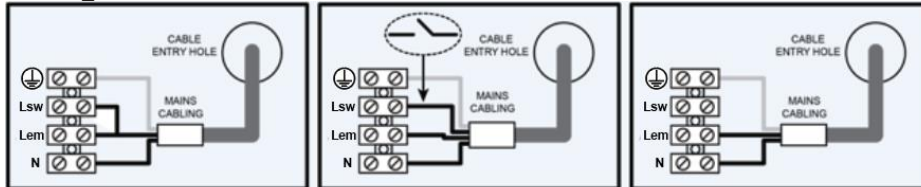


Figure A

Permanently on, 24hr operation. The switched active and un-switched active connections are bridged ensuring the battery charger and general lighting LED driver is permanently energised.

Figure B

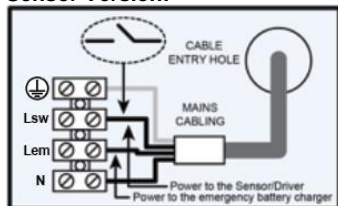
Switched operation of the general lighting LED driver. The switched active is wired separately via a switch to provide on/off control of the general lighting. The un-switched active supplying battery charger is permanently energised.*

*The switched and un-switched active should originate from the same circuit breaker or RCD.

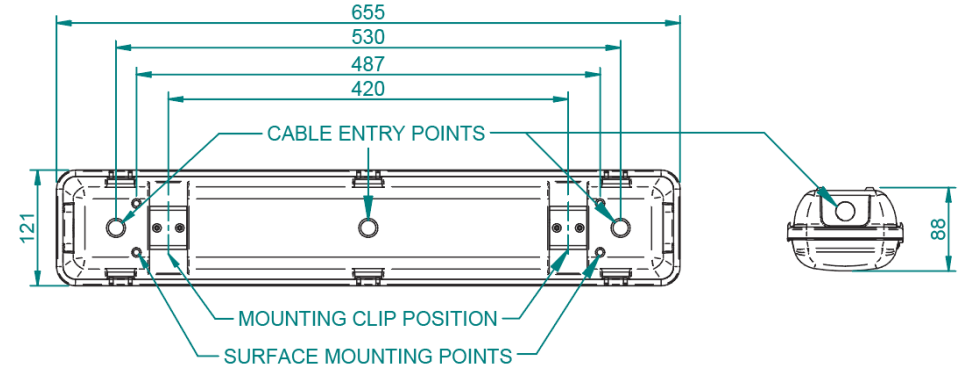
Figure C

Non-maintained operation. The switched active is not connected and the general lighting LED driver will be off (permanently). The un-switched active supplying battery charger is permanently energised.

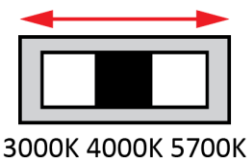
Sensor Version:



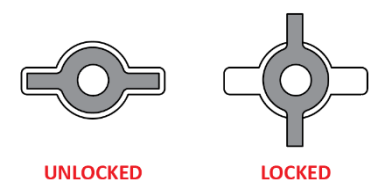
Dimensions:



Colour Setting:



Gear Tray Clip:



Battery Replacement

1. Prior to any work, isolate power to any Batten that requires battery replacement
2. Open the Diffuser by releasing the Batten Diffuser Clips
3. Unlock the Gear Tray by rotating the Gear Tray Clips 90° in an anti-clockwise direction (ensure the Gear Tray is supported while unlocking clips)
4. Remove Battery connector from the Emergency Driver
5. Remove Battery and Battery Clips from the Gear Tray (release one side of clips to remove battery and clips together as one)
6. Install replacement Battery & Clips and connect into Emergency Driver
7. Re-Install the Gear Tray and ensure Clips are locked (rotate clips by 90° clockwise)
8. Re-Install the Diffuser and close all clips

Note:

- This luminaire (with reinforced insulation between control/LED terminal and AC Supply) contains non-user replaceable light source and battery – to be replaced (if required, refer installation instructions for battery replacement) by the manufacturer or his service agent or a similar qualified person.

Caution:

On many building sites, power circuits may be cut off in an uncontrolled and repetitive basis during construction. As a result, any Exit & Emergency Units, on these circuits, will have their batteries discharged or “cycled”. The battery in this fitting has been selected to give excellent long-life performance in a controlled AS2293 testing environment. Excessive battery cycling will reduce through-life performance and may lead to premature battery failure. Battery warranty claims, as a result of such abuse, are specifically EXCLUDED from Clevertronics warranty terms.

Warranty:

For Product Warranty information and Terms and Conditions of Sales please refer to our website <http://clevertronics.com.au/terms-conditions-sale-australia-nz/>