

## Zoneworks, HIVE and DATA Monitored Options

Fittings with part numbers -ZW, -HVG, -DATA are fitted with Zoneworks communications modules (nodes). These fittings are monitored using either Powerline Carrier Technology that utilize the power cable to provide data communication, RF transceiver modules operating in the ISM band or a dedicated data cable to/from data routers installed on a dedicated data trunk connected to a central Server (can also be connected via Ethernet/Internet/Fibre). Zoneworks software on the server is used to monitor, coordinate testing and collate test data from each fitting. Zoneworks Fittings can be commissioned by a single push of the test switch or by scanning the supplied barcode. The LED Test Switch indicator provides a multifunction indication of the status of the fitting during testing and normal operation:

Option	State	LED Operation
ZW, HVG, DATA	Commissioned	LED on Solid (Green)
ZW, DATA	Un-commissioned	<b>Batt plugged-in:</b> yellow 1s, green 1s
		<b>Batt unplugged:</b> red 1s, off 1s
HVG	Un-commissioned With network connectivity	<b>Batt plugged-in:</b> yellow 1s, green 1s
		<b>Batt unplugged:</b> red 1s, off 1s
HVG	Un-commissioned Without network connectivity	<b>Batt plugged-in:</b> yellow 250mS, green 250mS, yellow 250mS, green 250mS, green 1s
		<b>Batt unplugged:</b> red 250mS, off 250mS, red 250mS, off 250mS, off 1s
ZW, DATA	Emergency Light Test In Progress	LED flashes at yellow 5s , Off 1s
HVG	Emergency Light Test In Progress	LED flashes at yellow 1s , Off 1s

In the case of the DATA version a 2-way "figure 8" cable and terminal block facilitates the connection to the DATA network via a multi-drop bus (daisy chain connection). For further information of installation of a Zoneworks system, please refer to the Zoneworks Users Guide and Commissioning Guide (incl. DATA version)

## DALI EM Option

Luminaires with part numbers having -DALI are fitted with DALI modules (nodes) that facilitate connection and integration to 3rd Party Lighting Control Systems. Before installing the -DALI fitting please confirm that the Lighting Control System has the capability to monitor DALI Emergency Luminaires. The -DALI fitting will be addressed and configured into the control system by the Lighting Control System Commissioning Technicians and not Clevertronics

State	LED Operation
Commissioned/ Un-commissioned	LED on Solid (Green)
Emergency Light Test in progress	LED flashes at 1s On (Yellow) & 1s Off
"IDENTIFY COMMAND"	Fitting goes into emergency mode for 10 seconds

A 2-way "figure 8" cable and terminal block facilitates the connection to the DALI network OR a 5/6way "structured wiring system" lead and plug facilitating the power and DALI connection. DALI connections are marked as Da Da.

## Clevertest and Clevertest Plus

Refer to the supplementary operation guide supplied with the Product.

After Power ON, the Status LED on a Clevertest Plus enabled fitting will display a rapid Green or Red flashing for a period up to 2 minutes.


Maintained fittings (CLIFEM-PRO-xx) cannot be scanned with a camera using the Clevertest Plus App as the maintained light source interferes with the camera scanning function. To register the fitting manually enter the serial number from the QR code and visually read the test result and enter manually into Clevertest Plus App.



# CLP™ LIFELIGHT PRO Surface Mount Emergency Luminaire

## Installation & Maintenance Instruction Leaflet



NOTE: Standard product codes with this symbol  are enabled with Clevertest Plus capability. Please refer to the operation guide supplied with the product for details.


**Australia (Head Office)**  
Website: [www.clevertronics.com.au](http://www.clevertronics.com.au)  
Email: [info@clevertronics.com.au](mailto:info@clevertronics.com.au)  
Phone: +61 3 9559 2700  
Fax: +61 3 9559 2799



**UK OFFICE**  
Website: [www.clevertronics.co.uk](http://www.clevertronics.co.uk)  
362 Stockley Close  
West Drayton UB7 9BL  
Phone: 01895 430 255

## Models: CLIFEz-PRO-aa-SMC-bb-xx-yy

### Testing :

Manual Test xx = Blank  
Zoneworks xx = ZW  
Z/W DATA xx = DATA  
Zoneworks Hive xx = HVG  
DALI Registered xx = DALI 

### Options:

Maintained z = M  
Non-Maintained z = Blank  
Colour, Black yy = BLK  
Warm White aa = WW  
Switched Live(Active) bb = SA

## Spare Parts:

1550230	BATT:LP 3.2V 6400mAh.200mm lead.Brkt.
1100811	Lifelight Pro,Head Assem,Ld:280mm,Round,Gen2,LT (Daylight White)
1100809	Lifelight Pro Head Ass,Ld:280mm,Rnd,Gen2,Blk,LT (Daylight White, Black)
1100821	Lifelight Pro,Head Assem, Ld:280mm,Rnd,WW,Gen 2 (Warm White)
1100808	LifelightPro,HeadAss, Ld:280mm,Rnd,WW,Gen 2,Blk (Warm White, Black)
UKM02370030002	CLIFE-PRO-SMS-CKIT-IC2-475, Lifelight Pro, Control Only, 475mA, LP, CTP, OWC

## Important:

It is illegal for anyone, except for a licensed electrician to install or maintain this product. Before installation, ensure that the electricity supply has been switched off and isolated. Installation must be carried out in accordance with the relevant British Standards.

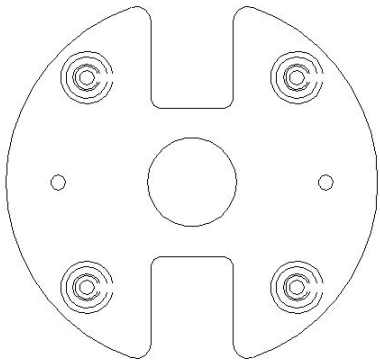
## Installation:

This CLIFE-PRO-SMC Surface Mount Emergency Luminaire can be installed on solid or T-BAR ceilings or used to replace an existing unit.

- Locate the installation position.
- Refer Images and Dimensions below for the mounting hole dimensions.
- Pre-drill mounting holes.
- Mount ceiling mounting bracket and use suitable fixings to secure the bracket into the pilot holes.
- Bring in supply cables via the top entry hole (surface mount conduit entry).
- Terminate the supply cables to the L, N & E terminals (for -SA, terminate the Switched Live(Active) to Lsw, for -DALI or -DATA fittings terminate the DALI or DATA cable to the terminals marked Da Da or DATA).
- Install Cylinder containing the control gear, ensuring to connect the supply cable to the connector from the supply terminal block.
- Locate and fit securing screws on sides.
- If the CTP capabilities are activated, please affix the CTP status label to a visible surface and Four Segment Marking on the product will include an "F" in third segment block.
- For -HVG fittings, screw in the supplied antenna to the antenna connector accessible on the external surface.
- Wall mounting bracket optional, comes with additional instructions.
- The luminaire should be positioned so that prolonged staring into the luminaire at a distance closer than 350mm is not expected.

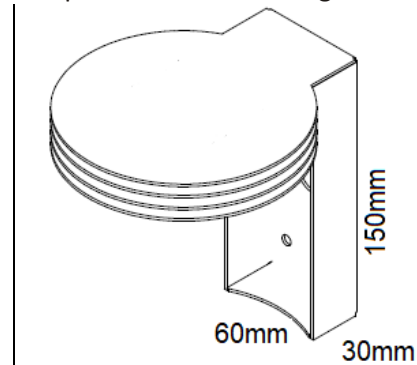
## Images and Dimensions:

Ceiling Mounting Bracket



Luminaire Dimensions	245mm (L) x 128mm (D)
Mounting Hole Dimensions	70mm x 70mm
Weight	1.9kg

Optional Wall Mounting Bracket



Mounting Hole Dimensions	35mm x 90mm
Weight	0.7kg
Part Number White	2740045
Part Number Black	2740048

## Note:

This luminaire (with reinforced insulation between control/LED terminal and AC supply) contains non-user replaceable light source and battery - to be replaced (if required, refer installation instructions for battery replacement) by Clevertronics service personnel/agents or a registered electrician.

## Battery Replacement:

1. Prior to any work, isolate the power to the luminaire that requires battery replacement.
2. Open the fitting by removing the securing screws on sides, support cylinder while removing screws.
3. Disconnect the Supply Connector. The Luminaire is now isolated from the Mounting Bracket.
4. Remove screws from Top Bar and the Gear Tray assembly can be removed.
5. Remove the Battery Connector from the Emergency Driver.
6. Remove the battery from the gear tray by removing mounting screws.
7. Replace battery, re-install screws and connector to Emergency Driver.
8. Reinstall the Gear Tray, ensure the Top Bar is aligned at 90 degrees (1/4 turn) to the side securing screw holes.
9. Reconnect the Supply Connector and fit the securing screws on sides to secure the luminaire into the Mounting Bracket.

## Testing Procedure:

When the luminaire is connected to the un-switched Live, it must be allowed to charge the battery for at least 24 hours. The emergency lamp only illuminates during a power fail. Conduct the following tests:

- The emergency lamp must illuminate for at least 180 min after disconnection from the mains. The results of all tests are required to be recorded in a service logbook, which is to be kept on-site at all times. If the unit fails to illuminate for the requisite time, remedial action must be taken to repair the situation and once completed, the unit must pass a subsequent test.
- Press and hold Test Button or switch Off Mains Supply, check that the emergency lamp is On.
- Release the Test Button or Switch On Mains Supply, check that the emergency lamp is Off (Non-maintained operation).

## Below are a list of common problems and their possible causes:

**Fault:** The Green LED indicator is not illuminated.

Check: A.C. is connected and is turned on.  
Battery is connected.  
Test Switch for damage.

**Fault:** Lamp does not illuminate in emergency mode.

Check: A.C. is connected.  
Lamp is correctly inserted.  
Battery is connected

**Fault:** Lamp illuminates in emergency mode, but only stays on for a short period.

Check: Battery has been allowed to charge for at least 24 hours.  
Battery for damage.

## Caution:

On many building sites, power circuits may be cut off in an uncontrolled and repetitive basis during construction. As a result, any Exit & Emergency Units, on these circuits, will have their batteries discharged or "cycled". The Li-ion battery in the Exit & Emergency Unit has been selected to give excellent long life performance in a controlled IEC 60598-2-22 testing environment. Excessive battery cycling will reduce through-life performance and may lead to premature battery failure. Battery warranty claims, as a result of such abuse, are specifically EXCLUDED from Clevertronics warranty terms.

## Warranty:

For Product Warranty information and Terms and Conditions of Sales please refer to our website <https://clevertronics.co.uk/product-warranty-statement/>