

Zoneworks, HIVE and DATA Monitored Options

Fittings with part numbers -ZW, -HVG, -DATA are fitted with Zoneworks communications modules (nodes). These fittings are monitored using either Powerline Carrier Technology that utilize the power cable to provide data communication, RF transceiver modules operating in the ISM band or a dedicated data cable to/from data routers installed on a dedicated data trunk connected to a central Server (can also be connected via Ethernet/Internet/Fibre). Zoneworks software on the server is used to monitor, coordinate testing and collate test data from each fitting. Zoneworks Fittings can be commissioned by a single push of the test switch or by scanning the supplied barcode. The LED Test Switch indicator provides a multifunction indication of the status of the fitting during testing and normal operation:

| Option | State | LED Operation |
|---------------|---|--|
| ZW, HVG, DATA | Commissioned | LED on Solid (Green) |
| ZW, DATA | Un-commissioned | Batt plugged-in: yellow 1s, green 1s |
| | | Batt unplugged: red 1s, off 1s |
| HVG | Un-commissioned With network connectivity | Batt plugged-in: yellow 1s, green 1s |
| | | Batt unplugged: red 1s, off 1s |
| HVG | Un-commissioned Without network connectivity | Batt plugged-in: yellow 250mS, green 250mS, yellow 250mS, green 250mS, green 1s |
| | | Batt unplugged: red 250mS, off 250mS, red 250mS, off 250mS, off 1s |
| ZW, DATA | Emergency Light Test In Progress | LED flashes at yellow 5s , Off 1s |
| HVG | Emergency Light Test In Progress | LED flashes at yellow 1s , Off 1s |

In the case of the DATA version a 2-way "figure 8" cable and terminal block facilitates the connection to the DATA network via a multi-drop bus (daisy chain connection). For further information of installation of a Zoneworks system, please refer to the Zoneworks Users Guide and Commissioning Guide (incl. DATA version)

DALI EM Option

Luminaires with part numbers having -DALI are fitted with DALI modules (nodes) that facilitate connection and integration to 3rd Party Lighting Control Systems. Before installing the -DALI fitting please confirm that the Lighting Control System has the capability to monitor DALI Emergency Luminaires. The -DALI fitting will be addressed and configured into the control system by the Lighting Control System Commissioning Technicians and not Clevertronics.

| State | LED Operation |
|----------------------------------|---|
| Commissioned/ Un-commissioned | LED on Solid (Green) |
| Emergency Light Test in progress | LED flashes at 1s On (Yellow) & 1s Off |
| "IDENTIFY COMMAND" | Fitting goes into emergency mode for 10 seconds |

A 2-way "figure 8" cable and terminal block facilitates the connection to the DALI network. DALI connections are marked as Da Da.

Clevertest and Clevertest Plus


Refer to the supplementary operation guide supplied with the Product.

After Power ON, the Status LED on a Clevertest Plus enabled fitting will display a rapid Green or Red flashing for a period up to 2 minutes.



CLP™ Cleverfit LED Exit Installation & Maintenance Instruction Leaflet



NOTE: Standard product codes with this symbol  are enabled with Clevertest Plus capability. Please refer to the operation guide supplied with the product for details.

Australia (Head Office)
 Website: www.clevertronics.com.au
 Email: info@clevertronics.com.au
 Phone: +61 3 9559 2700
 Fax: +61 3 9559 2799




UK OFFICE
 362 Stockley Close
 West Drayton UB7 9BL
 Phone: 01895 430 255

Models: CCFLED-xx

Testing :

| | | | |
|-------------|------------|------------|-----------|
| Manual Test | xx = Blank | DALI | xx = DALI |
| Zoneworks | xx = ZW | Clevertest | xx = CT |
| Z/W DATA | xx = DATA | HIVE | xx = HVG |



(NOTE: -CT Products supplied with the Clevertest Plus Symbol  are activated with Clevertest PLUS capability. Please refer to the operation guide supplied with the product for details).

Spare Parts:

| | |
|---------|--|
| 1550090 | BATT: CLP 3.2V 3200mAh 390mmLead,NB |
| 8002120 | PCA: Duris E5, 6 LED Strip (Lamp) |
| 8002333 | PCA: Lithium Cleverfit. #CT10164-L6, UK (Driver) |
| 8001450 | PCA: Powerline Node ZW, #CT10310-A6 |
| 8003250 | PCA: UK RF Node CT10720-A1 Ext Antenna |

Important:

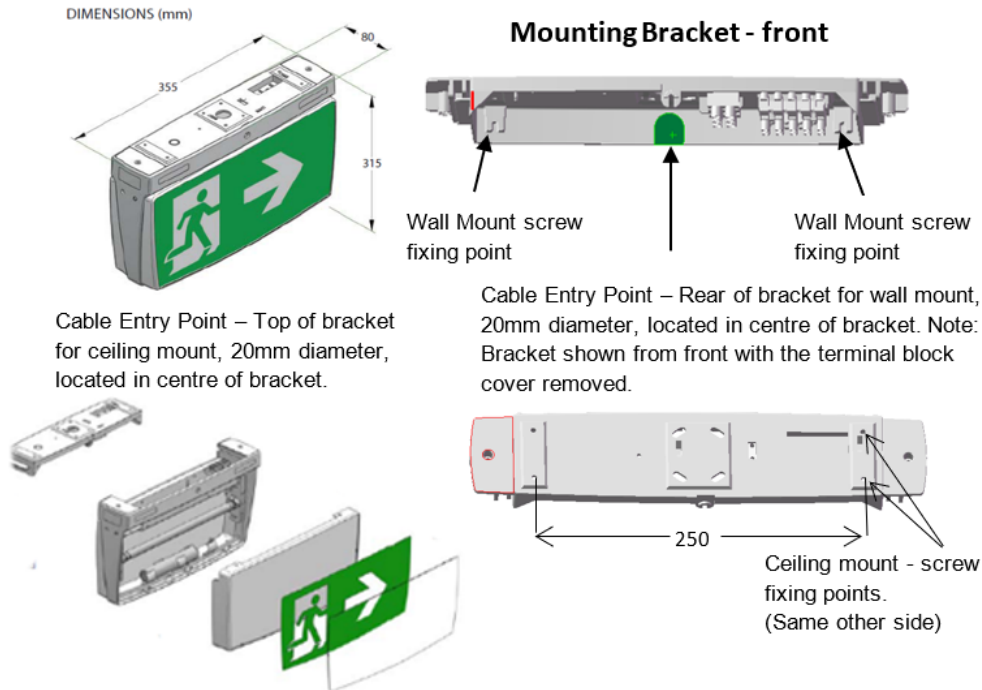
It is illegal for anyone, except for a licensed electrician to install or maintain this product. Before installation, ensure that the electricity supply has been switched off and isolated. Installation must be carried out in accordance with the relevant British Standards.

Installation:

The CLP Cleverfit LED Exit can be installed either Ceiling or Wall Mounted and can be mounted perpendicular to a wall using the (optional) Cleverfit Cantilever Bracket. The fitting uses a "slide connect bracket base" that is mounted and wired into position first. The main body can be installed once the base is wired or later to avoid damage during the construction phase. Please follow the steps below to install the Cleverfit Exit:

- Disengage the slide connect bracket from the exit body. Position the base in the mounting position.
- Using the bracket as a guide, mark 2 holes for mounting and one for mains access. Then install the bracket using appropriate fixings (not supplied).
- Connect the 240VAC supply to the mounting bracket.
- Configure all the mounting parts and cable entry points as below (if required) and engage the body into the slide connect bracket. Apply mains power and check that the Cleverfit Exit is operational.
- This luminaire contains non-user replaceable light source and battery.
- The light source contained in this luminaire shall only be replaced by Clevertronics or its service agent or similar qualified person.
- If the CTP capabilities are activated, please affix the CTP Status Label to a visible surface.

Dimensions:



Testing Procedure:

When the CLP Cleverfit LED Exit is connected to the un-switched active, it must be allowed to charge the battery for at least 24 hours. Conduct the following tests:

- The emergency lamp must illuminate for at least 180 mins after disconnection from the mains. If the unit fails to illuminate for the requisite time, remedial action must be taken to repair the situation and once completed, the unit must pass a subsequent test.
- Press and hold Test Button or switch Off Mains Supply, check that the emergency lamp is On.
- Release the Test Button or Switch On Mains Supply, check that the emergency lamp is Off (Non-maintained operation).

Below are a list of common problems and their possible causes:

Fault: The Green LED indicator is not illuminated.

Check: A.C. is connected and is turned on.
Battery is connected.
Test Switch for damage.

Fault: Lamp does not illuminate in emergency mode.

Check: A.C. is connected.
Lamp is correctly inserted.
Battery is connected.

Fault: Lamp illuminates in emergency mode, but only stays on for a short period.

Check: Battery has been allowed to charge for at least 24 hours.
Battery for damage.

Caution:

On many building sites, power circuits may be cut off in an uncontrolled and repetitive basis during construction. As a result, any Cleverfit Units, on these circuits, will have their batteries discharged or "cycled". The Li-ion battery in the Cleverfit has been selected to give excellent long life performance in a controlled IEC 60598-2-22 testing environment. Excessive battery cycling will reduce through-life performance and may lead to premature battery failure. Battery warranty claims, as a result of such abuse, are specifically EXCLUDED from Clevertronics warranty terms.

Warranty:

For Product Warranty information and Terms and Conditions of Sales please refer to our website <https://clevertronics.co.uk/product-warranty-statement/>